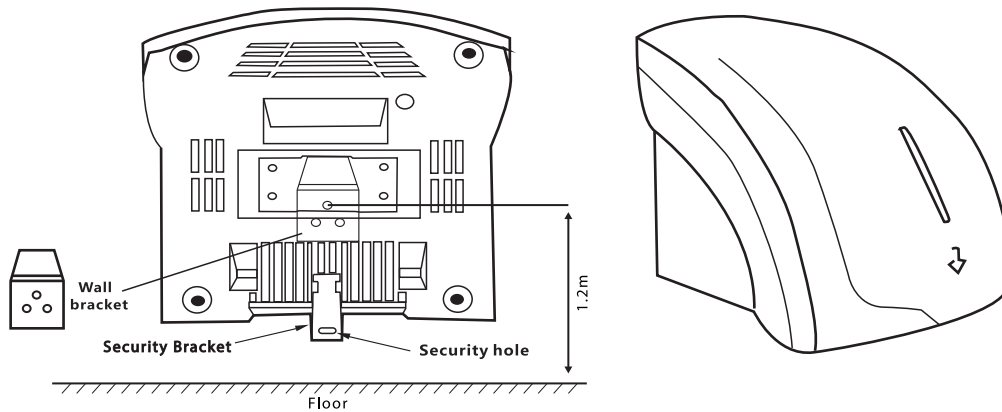


FEATURES

- Modern, sleek & durable design
- Touch-free; senses 120-150mm below blower
- High RPM with low noise and drying time of 40-50 seconds
- Easy to mount and install
- To avoid wastage of power, this dryer has been set with power-on function after 0.5 seconds and automatically powers-off 5s after hands have been removed

INSTALLATION

INSTALLATION DIAGRAM



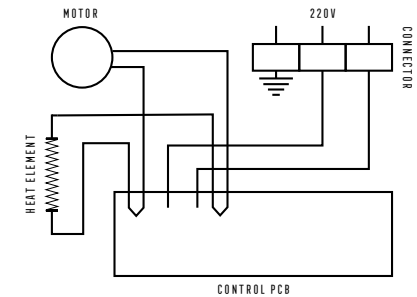
- Drill 3 holes into wall as per the installation diagram at a height of 1.2m above the floor and fix metal bracket to wall
- Drill a security hole 80mm beneath the wall bracket
- Clip the security bracket between the air vents
- Hang the dryer onto the fixed wall bracket
- Fix the security bracket with screw to prevent unauthorised removal

INSTALLATION

TECHNICAL DATA

| | |
|--------------------|--------------------|
| VOLTAGE | 220-240V/50-60HZ |
| RATED POWER | 2000W |
| SENSOR RANGE | 120-150MM |
| WIND SPEED | 12M/S |
| AIR TEMPERATURE | 60±20°C |
| DRYING TIME | 40-50S |
| NET WEIGHT | 2KGS |
| DIMENSIONS | W240 X D230 X H250 |
| WATERPROOF PROTECT | IPX1 |

POWER DIAGRAM



NOTICE

- The dryer will power-on automatically when hands are placed under the sensor and power-off 5 seconds after hands have been removed
- Do not install the hand dryer in areas exposed to direct water contact, direct sunlight or heavy condensation
- Dryer is not to be operated by children or persons with reduced physical or sensory capabilities unless supervised
- If the supply cord is damaged, it must be replaced by the manufacturer, service agent or similarly qualified persons

CLEANING INSTRUCTIONS

- Do not attempt to dismantle the dryer when cleaning
- Only use a damp, clean cloth to wipe the surface of the dryer and pat-dry with a towel
- Do not use abrasive materials or cleaning agents containing chlorine